



**Features:**

- UL 1449 Fourth Edition listed
- 100kA – 200kA per phase ratings
- Type 1: UL 1449 4th Edition, CSA 22.2 No. 269.1
- Type 2 (optional): UL 1449 4th Edition, CSA No. 269.2, UL 1283
- 20kA Inominal (I<sub>n</sub>)
- Enhanced EMI/RFI filtering standard on type 2 units
- 200kA SCCRs (most models)
- Complies with UL 96A 12th Edition master label requirements for lighting protection systems
- Voltage specific design – highly configurable
- All MOV suppression elements monitored
- All modes of protection
- 10-year limited warranty

**Performance Specifications**

Surge Capacities	L-N	L-G	N-G
<b>100kA per phase</b>	50kA	50kA	50kA
<b>200kA per phase</b>	100kA	100kA	100kA
UL 1449 Fourth Edition type 1, CSA 22.2 No. 269.1			
Optional UL 1449 Fourth Edition type 2 SPD, CSA 22.2 No. 269.2			
UL 1449 Fourth Edition tested Inominal (I <sub>n</sub> ): 20kA			
Enhanced EMI/RFI filtering up to -50dB from 10kHz to 100MHz (Type 2 option only, incl. UL 1283 Listing)			
Repetitive impulse: 5,000 hits			
Less than 1 nanosecond response time			

**Physical Specifications**

Relative humidity range: 0 - 95% non-condensing
Operating frequency: 47 - 63Hz
Peak operating temperature: +85° C (185° F)
Operating Temperature: -25° C (-15° F) to +60° C (140° F)
Weight: 5 lbs. (2.3 kg)
NEMA 4X polycarbonate enclosure – UL 746C(f1) & UL 94-5VA
Dimensions: 6 x 6 x 4 in. (152 x 152 x 102 mm) (excluding removable mounting feet)
Lug size: #8-#14 AWG
Typical connection: #8 AWG and 40A breaker

**Design Attributes**

Designed, manufactured and tested consistent with: <ul style="list-style-type: none"> <li>- ANSI/IEEE C62.41.1-2002, C62.41.2-2002, C62.45-2002, C62.62-2010, C62.72-2016, IEEE SA 1100-2005 (Emerald Book)</li> <li>- NEC® Article 285</li> <li>- NEC® Articles 620.51(E), 645.18, 670.6, 695.15, 700.8 and 708 requiring SPDs</li> <li>- Complies with UL 96A 12th Edition master label requirements for lighting protection systems and NFPA 780 Lightning Protection IEC 61643, CE</li> </ul>
High energy parallel design for category C-high applications
For external mounting on electrical distribution equipment, switchgear, switchboards, motor control centers, panelboards, transfer switches, etc.
Individually fused & thermally protected MOVs
Solid state bidirectional operation

**Diagnostic Monitoring**

100% monitoring – every MOV is monitored, including N-G
Green LED status indicator per phase
Phase loss monitoring (toggles LED & dry contacts)
Audible alarm and form C dry contacts (contact rated 240V, 5A)

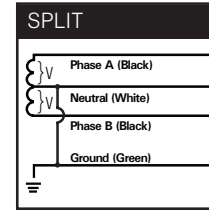
**Quality, Standards & Validation**

Type 1: UL 1449 Fourth Edition, CSA 22.2 No. 269.1
Type 2 (Opt.): UL 1449 Fourth Edition, CSA No. 269.2, UL 1283
UL file: VZCA.E321351 at www.UL.com
RoHS-compliant
IEC 61643, CE
10-year limited warranty
Operational test performed before shipment
ISO 9001:2008 quality management system
ISO 17025:2005 laboratory qualification

## Model 430 Ordering Options

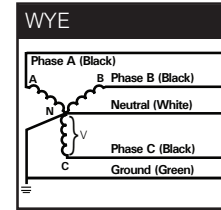
Connection	Monitoring	kA Rating Per Phase	UL 1449 Type	Catalog Number
Lugs	Lights, Alarm, Contacts	100kA	UL Type 1	430□□□□P10ACAJ10
			UL Type 2	430□□□□P10ACAJ20
		200kA	UL Type 1	430□□□□P20ACAJ10
			UL Type 2	430□□□□P20ACAJ20

Figure 1



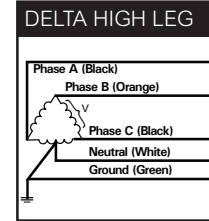
2 Phases, 1 Neutral, 1 Ground

Figure 2



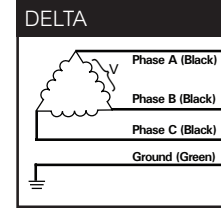
3 Phases, 1 Neutral, 1 Ground

Figure 3



(B High) 3 Phases, (B High) 1 Neutral, 1 Ground

Figure 4



3 Phases, 1 Ground

### Voltage Codes

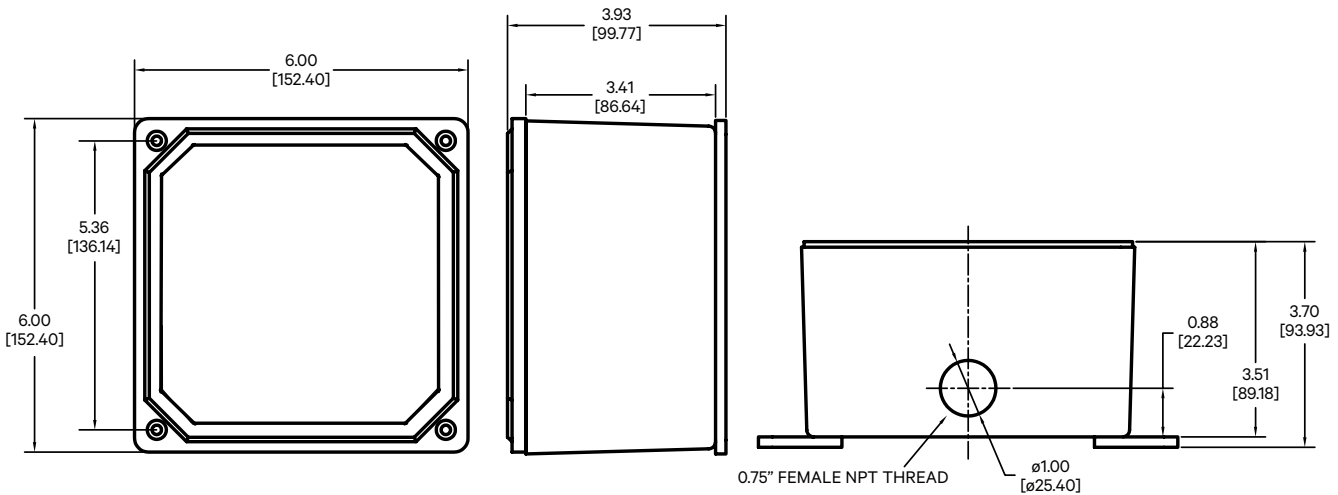
120Y	208Y/120V Wye, 3Ø 4W + ground (Fig. 2)
120S	240/120V Split Phase, 1Ø, 3W + ground (Fig. 1)
230Y	380Y/220V, 400Y/230V Wye 3Ø 4W + ground (Fig. 2)
240Y	415Y/240V Wye, 3Ø 4W + ground (Fig. 2)
240D	240V Delta, 3Ø 3W + ground (Fig. 4)
240H	240/120V Delta High Leg (Fig. 3)
277Y	480Y/277V Wye, 3Ø 4W + ground (Fig. 2)
347Y	600Y/347V Wye 4W + ground (Fig. 2)
480D	480V Delta, 3Ø 3W + ground (Fig. 4)
600D	600V Delta, 3Ø, 3W + ground (Fig. 4)

Choose Voltage Code

### Available Accessories (Order Separately)

KITFMXFCW	Flush mount kit
RM	Remote monitor

## Dimensions (in. / mm)



## Performance Data

Common Power Systems		UL 1449 Fourth Edition Test Data							
		Voltage Protection Ratings (VPR - 3kA)				I <sub>n</sub>	SCCR	MCOV (VAC) All Modes / HL	MCOV (VAC) L-L / HL-L
		L-N / HL-N	L-G / HL-G	N-G	L-L / HL-L				
120Y	= 208Y/120V 3Ø Wye 4W + ground	700	700	700	1200	20kA	200kA	150	276
120S	= 240/120V Split Phase	700	700	700	1200	20kA	100kA	150	276
230Y	= 400Y/230V Wye, 3Ø 4W + ground	1200	1200	1200	2000	20kA	200kA	320	552
240D	= 240V Delta, 3Ø 3W + ground	N/A	1200	N/A	2000	20kA	200kA	320	300
240H	= 240/120V B High Leg Delta	700 / 1200	700 / 1200	700	1200 / 2000	20kA	200kA	150 / 320	276 / 320
277Y	= 480Y/277V 3Ø Wye 4W + ground	1200	1200	1200	2000	20kA	200kA	320	552
347Y	= 600Y/347V 3Ø Wye 4W + ground	1500	1500	1500	2500	20kA	200kA	420	690
480D	= 480V Delta, 3Ø 3W + ground	N/A	1800	N/A	2000	20kA	200kA	552	552
600D	= 600V Delta, 3Ø, 3W + ground	N/A	2500	N/A	2500	20kA	200kA	690	690