



Features:

- UL 1449 Fourth Edition listed
- 100kA per phase ratings
- Type 1: UL 1449 4th Edition, CSA 22.2 No. 269.1
- 20kA Inominal (I_n)
- 200kA SCCRs (most models)
- Complies with UL 96A 12th Edition master label requirements for lightning protection systems
- Voltage specific design – highly configurable
- All MOV suppression elements monitored
- All modes of protection
- 10-year limited warranty

Performance Specifications

Surge Capacities	L-N	L-G	N-G
100kA Per Phase	50kA	50kA	50kA
UL 1449 Fourth Edition listed, cUL			
UL 1449 Fourth Edition type 1, CSA 22.2 No. 269.1			
UL 1449 Fourth Edition tested Inominal (I_n): 20kA			
UL 1449 Fourth Edition tested SCCR: 200kA (100kA for 240S/120V)			
Repetitive impulse: 5,000 hits			
Less than 1 nanosecond response time			

Physical Specifications

Relative humidity range: 0 - 95% non-condensing
Operating frequency: 47 - 63 Hz (also 400Hz on <480V)
Operating temperature: -25° C (-13° F) to +85° C (185° F)
Weight: 3 lbs. (1.4 kg)
NEMA 4X polycarbonate enclosure – UL 746C(f1) & UL 94-5VA
Dimensions: 8.3 x 3.6 x 3.0 in. (211 x 91 x 77 mm)
3/4" threaded hub - weather resistant 4X
Pre-wired with 3 feet (0.91 meter) of #10 AWG conductor
Pre-wired dry contacts leads, 3 feet (0.91 meter) #18 AWG
Typical connection: 30A breaker

Design Attributes

Designed, manufactured and tested consistent with:
- ANSI/IEEE C62.41.1-2002, C62.41.2-2002, C62.45-2002, C62.62-2010, C62.72-2016, IEEE SA 1100-2005 (Emerald Book)
- NEC® Article 285
- NEC® Articles 620.51(E), 645.18, 670.6, 695.15, 700.8 and 708 requiring SPDs
- Complies with UL 96A 12th Edition master label requirements for lightning protection systems and NFPA 780 lightning protection
- IEC 61643, CE
For external mounting on electrical distribution equipment
Individually fused and thermally protected MOVs
Solid state bidirectional operation

Diagnostic Monitoring

100% monitoring – every MOV is monitored, including N-G
Green LED Status indicator per phase
Phase loss monitoring (toggles LED & dry contacts)
Audible alarm and form C dry contacts (Contacts rated 24V, 2A)

Quality, Standards & Validation

Type 1: UL 1449 Fourth Edition, cUL
UL file: VZCA.E321351 at www.UL.com
RoHS-compliant
IEC 61643, CE
10-year limited warranty
Operational test performed before shipment
ISO 9001:2008 quality management system
ISO 17025:2005 laboratory qualification

Model 425 Ordering Options

Connection	Monitoring	kA Rating Per Phase	Catalog Number
Wire Leads	Lights, Alarm, Contacts	100kA	425□□□□P10AWAJ10

Choose Voltage Code

Optional Kits

XMFMKITCW

Model 425 flush mount kit
(Ordered separately)

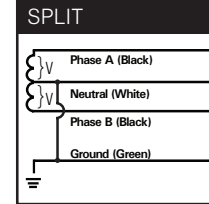
RM

Model 425 remote monitor
(Ordered separately)

Voltage Code

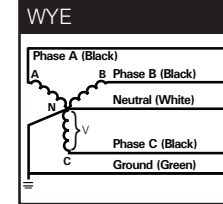
120/240V Split Phase (Fig. 1)	120S
208Y/120V Wye (Fig. 2)	120Y
380Y/220V, 400Y/230V, 415Y/240V (Fig. 2)	230Y
240/120V Delta High Leg (Fig. 3)	240H
240V Delta (Fig. 4)	240D
480Y/277V Wye (Fig. 2)	277Y
600Y/347V Wye (Fig. 2)	347Y
480V Delta (Fig. 4)	480D
600V Delta (Fig. 4)	600D

Figure 1



2 Phases, 1 Neutral,
1 Ground

Figure 2



3 Phases, 1 Neutral,
1 Ground

Figure 3

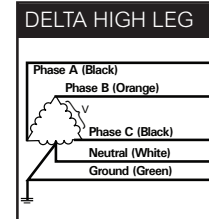
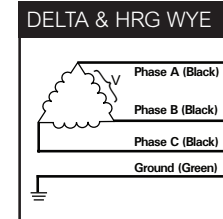
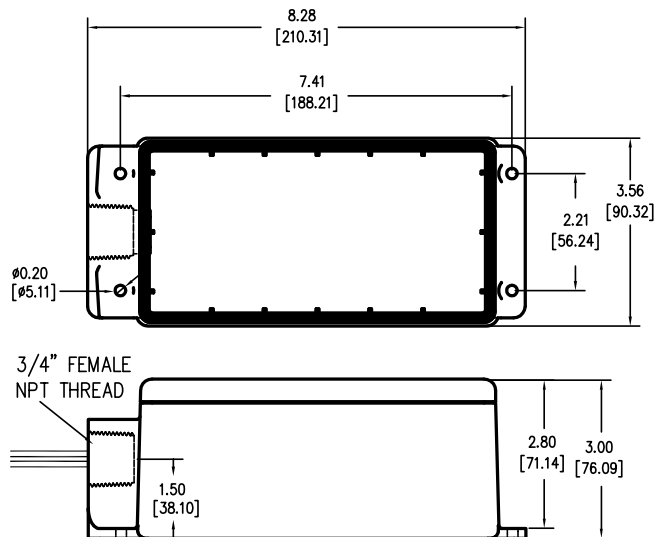


Figure 4

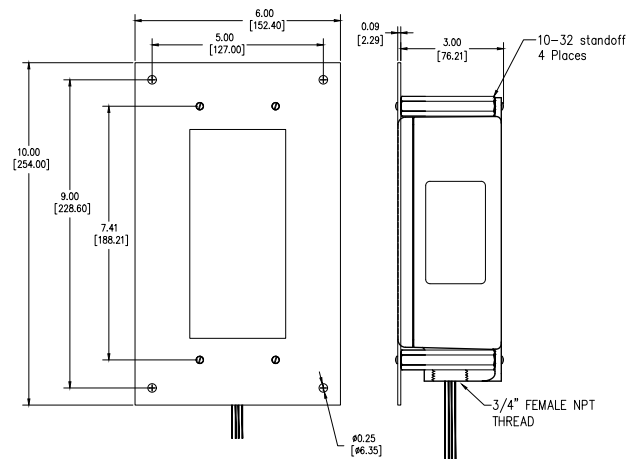


Dimensions (in. / mm)

Model 425 Unit



Flush Mount Kit



Performance Data

Common Power Systems		UL 1449 Fourth Edition Test Data						
		Voltage Protection Ratings (VPR - 3kA)				I _n	SCCR	MCOV
		L-N	L-G	N-G	L-L			
120S	= 120/240V 1Ø, 3 wire	600	700	600	1000	20kA	100k	150
240H	= 120/240V 3Ø, 4 wire High Leg Delta	600/1200	700/1200	600	1000	20kA	200k	150/320
120Y	= 208Y/120V 3Ø, 4 wire Wye	600	700	600	1000	20kA	200k	150
277Y	= 480Y/277V 3Ø, 4 wire Wye	1200	1200	1000	1800	20kA	200k	320
480D	= 480V 3Ø, Delta	-	1800	-	1800	20kA	200k	552
230Y	= 380Y/220V, 400Y/230V, 415Y/240V Wye, 3Ø 4W + ground	1200	1200	1000	1800	20kA	200k	320
347Y	= 600Y/347V 3Ø, 4 wire Wye	1500	1500	1500	2500	20kA	200k	420